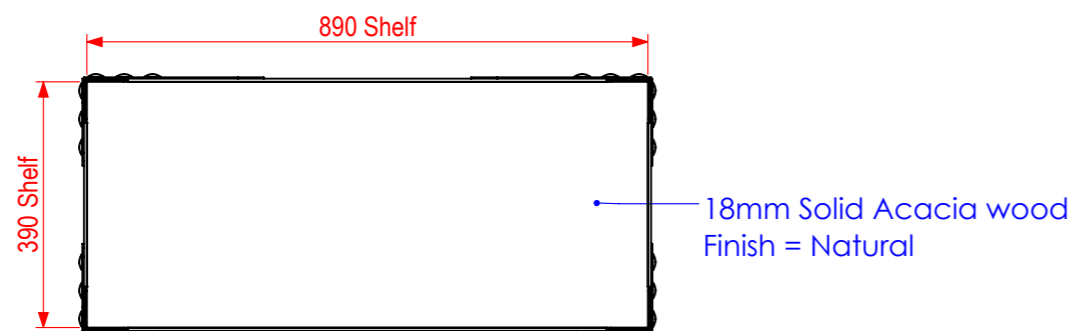
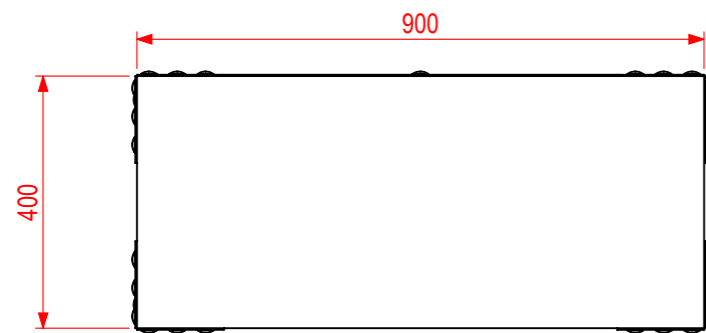
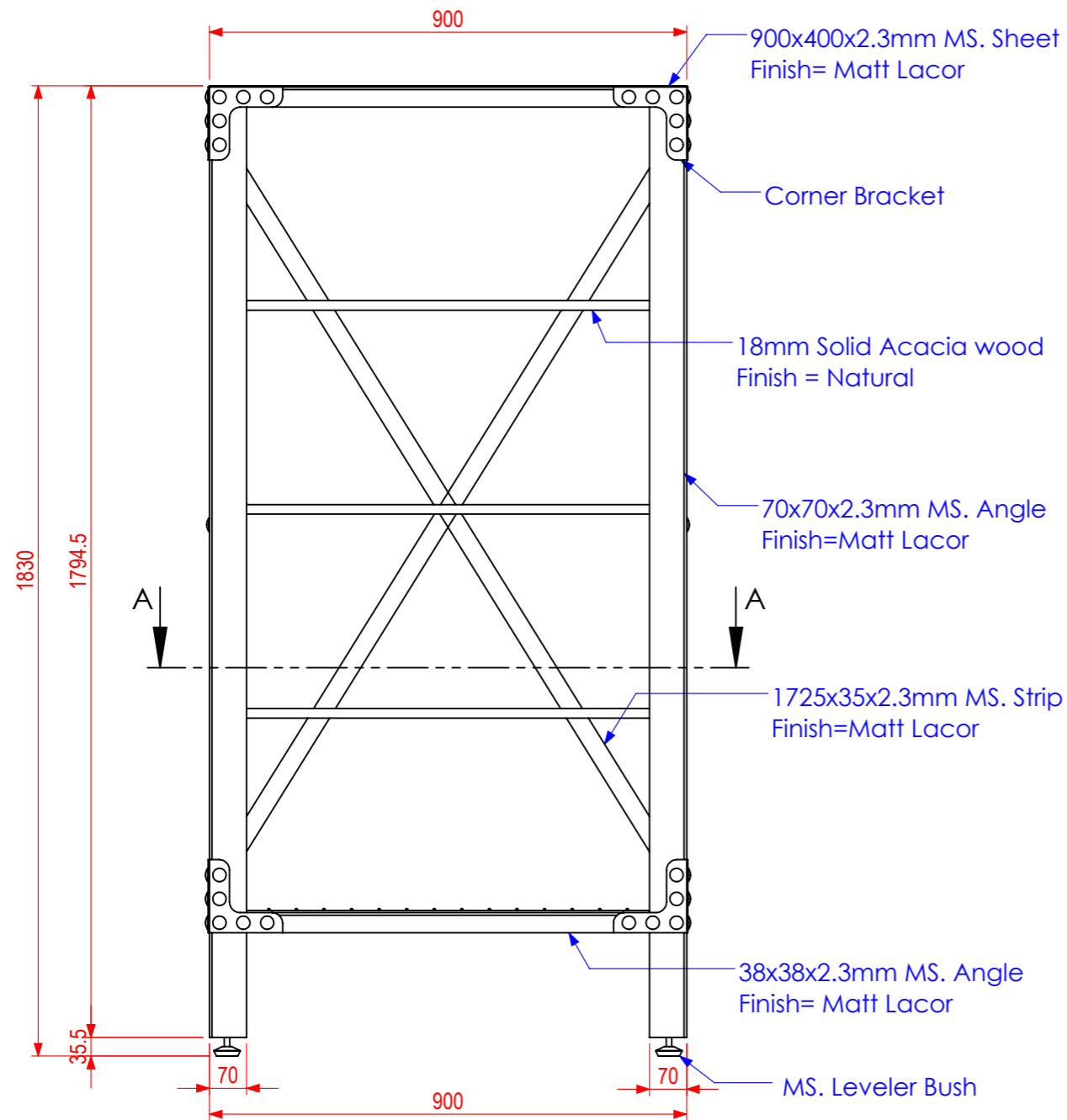
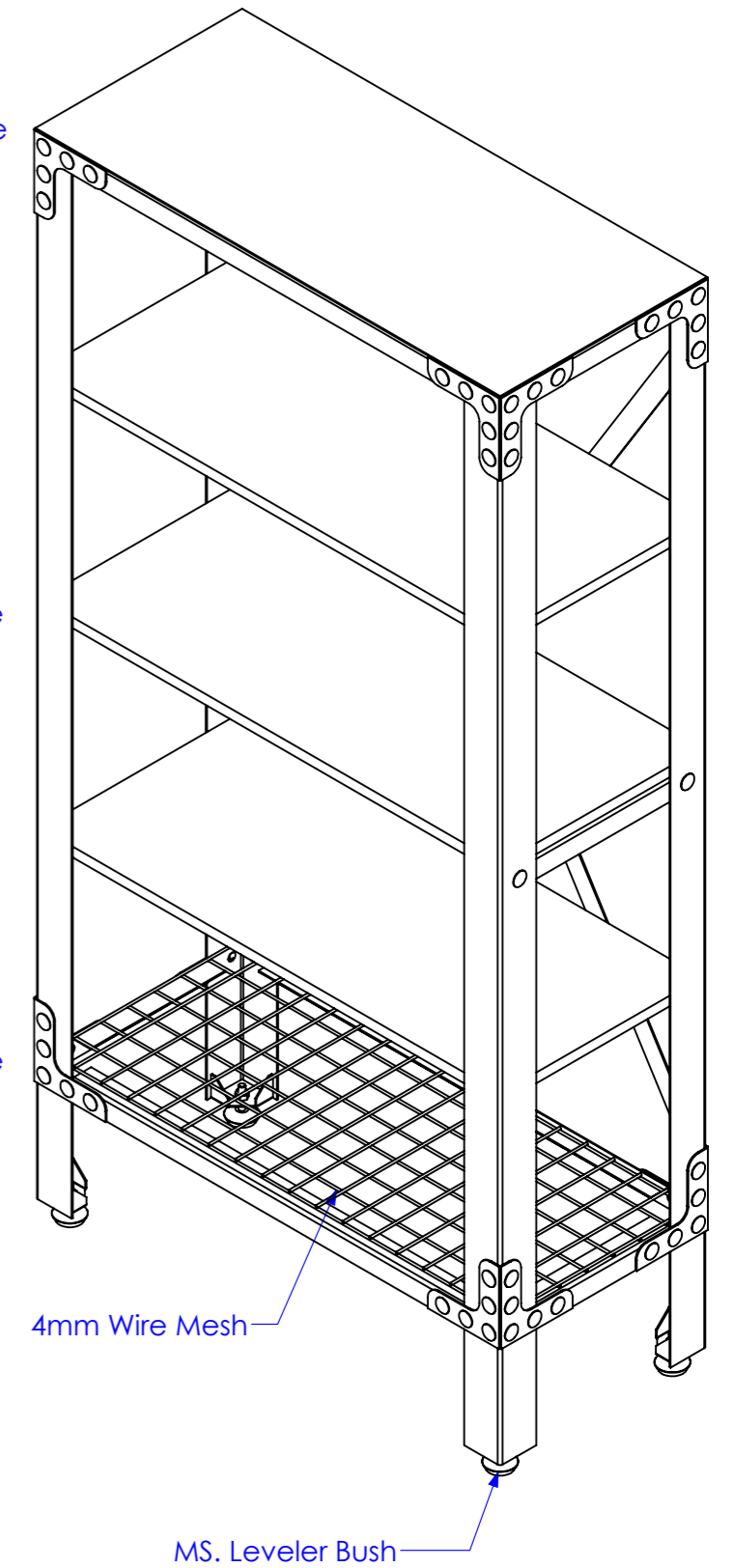
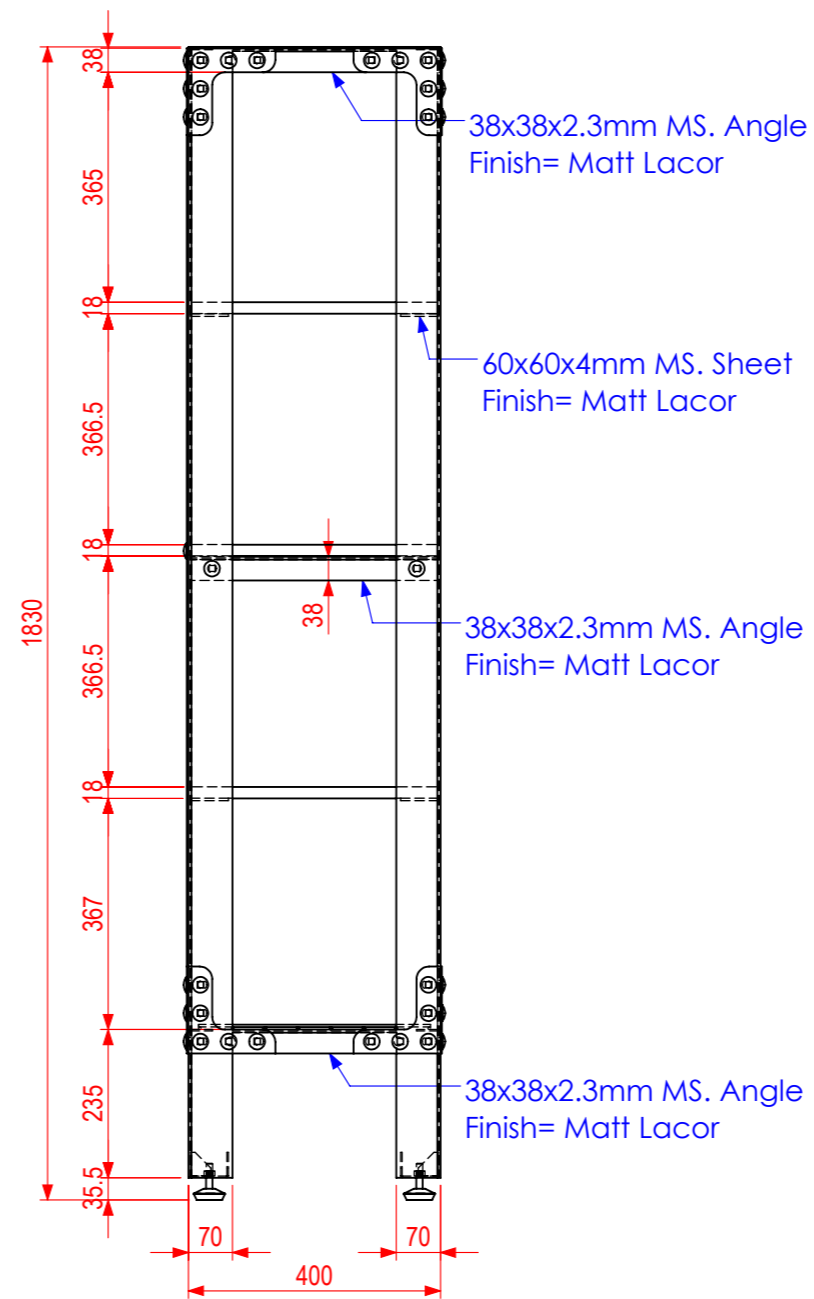


U:\USA Garage Tools\Shelving Unit\Shelving Unit with Natural Finish\



SECTION A-A



DRAWN	Tahir	SHEET THK.: -NA-	WEIGHT: 185.91Kg	S. AREA: 6591991.69mm ²
CHECKED	Harout k	MAT.: Metal / Acacia Wood	FINISH: Metal = Matt Lacor. Wood = Acacia Natural	
APPROVED	Harout k	TITLE: Industrial Metal & wood Storage Shelving		
DATE	28/04/2020			

DWG. NO.	PRODUCT:	MODEL:
Shelving Unit Assembly	Shelving Unit	900x400x1830

General Tolerance : ± 0.1 mm	
COLOUR	Black
QUANTITY	

 Design & Development Department	P.O. Box 474039, Jabel Ali, Dubai Investment Park - 1, Dubai (United Arab Emirates) Tel: 04-8841650 Fax: 04-8841934		SHEET
			1 OF 10
ALL DIMENSIONS ARE IN MILLIMETERS AND ALL BEND RADII TO BE MIN. R AT 90° BEND, UNLESS SPECIFIED OTHERWISE THIS DRAWING IS THE PROPERTY OF TSSC, NOT TO BE REPRODUCED AS A PART OR WHOLE WITHOUT PRIOR CONSENT OF TSSC		SCALE	REV.
		N.T.S.	00